

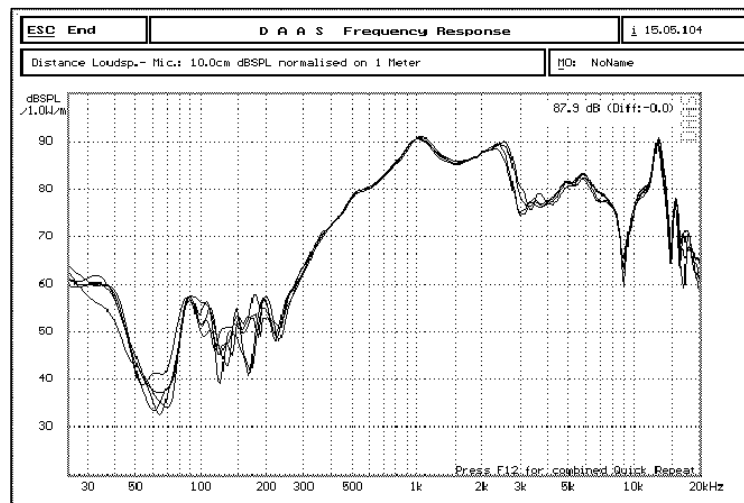
泉州豐群電子有限公司

C.C. FENG CHIUN ELECTRONIC CO., LTD.

OFFICE: TEL:+886-2-82522781
FAX:+886-2-82522782

FACTORY: TEL:+86-595-22632579
FAX:+86-595-22632580

| | | | | | |
|----|-----------------------------|--|---------------------|----------------------|----------------------|
| 1 | MODEL | 1635IBOX-07(GP) | | | |
| 2 | Dimension | 52.9X18.0X15.0H | Weight | 20.8 | Gram. |
| 3 | Magnet | Materials Rare Earth | Size | ø8.0X1.0 ø8.0X2.0 | mm. |
| 4 | Nominal Impedance | 8 Ohm | ± 15 % | | |
| 5 | Power Rating | Normal | 2.0 W. | Maximum | 3.0 W. |
| 6 | Lowest Resonant Frequency | 900 | ± | 180 | Hz |
| 7 | Output Sound Pressure Level | 89 ± 3 dB / 1 Watt 1 Meter. | | | |
| | | Average at | 1000,1200,1500,2000 | | Hz |
| 8 | Frequency Range | 500~20K | Hz. | Average SPL-10 | dB. |
| 9 | Distortion | 5 % | Maximum At | 1000 | Hz 1.0 W. |
| 10 | Abnormal Sound Test | Must be Normally Tested By | | 4.0 | Volts Sine Wave. |
| 11 | Load Test | White Noise with Weighted Filter | | 4.0 | Volts. (RMS) 96 Hrs. |
| 12 | Operation Temperature | -25°C ~ +60°C | | | |
| 13 | Storage Temperature | -40°C ~ +70°C | | | |
| 14 | Polarity | Diaphragm shall move Forward when Apply a Positive DC | | | |
| | | Current to the "+" or "Marked" Terminal. | | | |
| 15 | Remarks | Above specifications on the strength of CNS4784 and CNS4785. | | | |



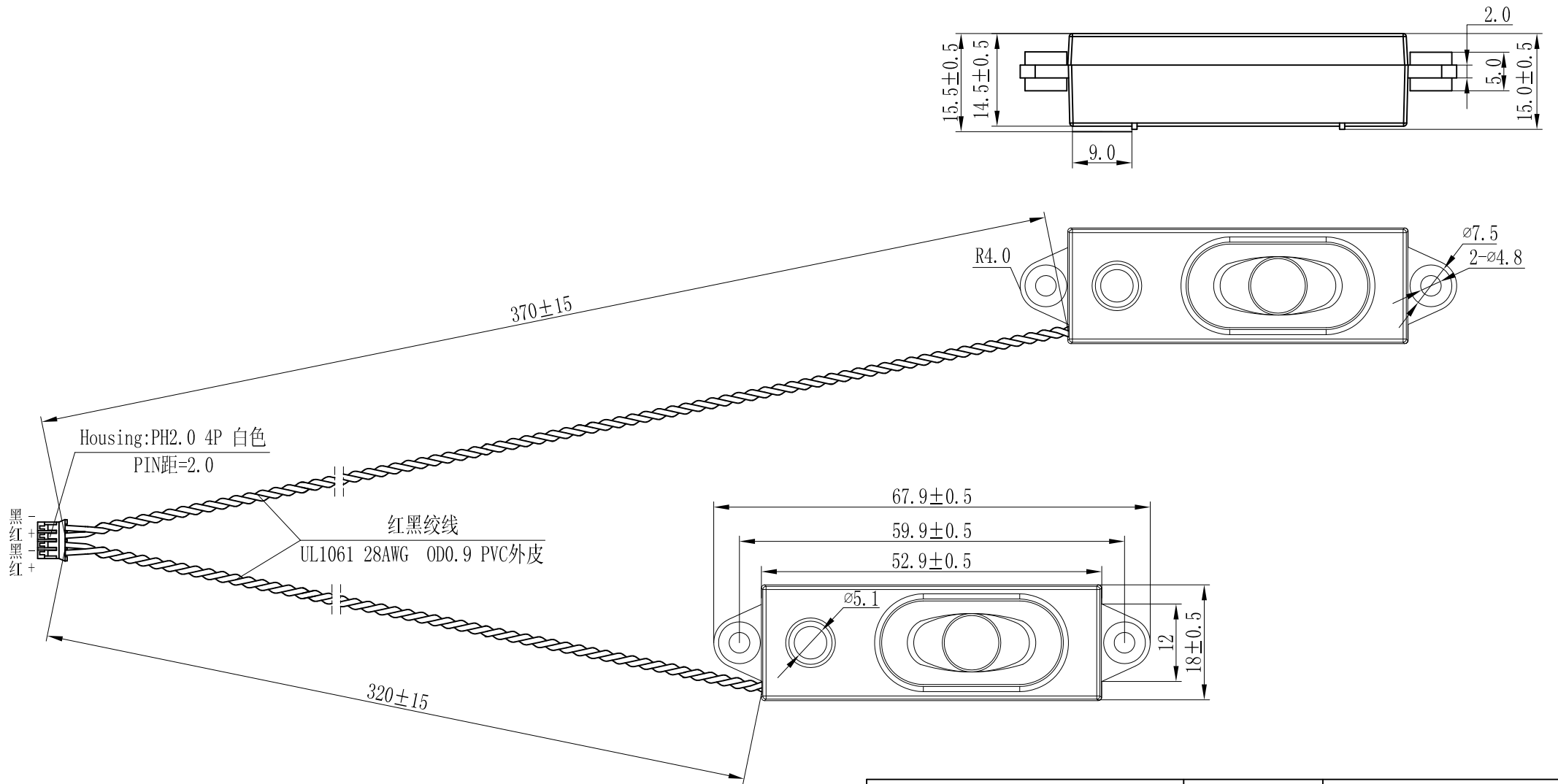
Dimension:
details see drawing name "1635IBOX-07(GP)外观图".

Unit:mm

Admitted:

Approved:

Made:



1635IBOX-07 (GP) 外观图

| | | | | | |
|------|--|---|------|-----|--|
| 产品名称 | | 1635IBOX-07 (GP) 型音箱 | | | |
| 图 号 | | FC-1635IBOX-07 (GP)-12 | | | |
| 料 号 | | | | | |
| 设计 | | 比 例 | 1: 1 | 数 量 | |
| 制图 | | 材 料 | | 重 量 | |
| 审核 | | 共1页第1页 | | | |
| 工艺 | |  泉州豐勤電子有限公司 QUANZHOU FENGQIN ELECTRONIC CO., LTD. | | | |
| 标准化 | | | | | |
| 批准 | | | | | |