

# 泉州豐群電子有限公司

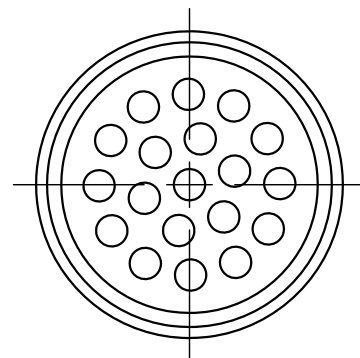
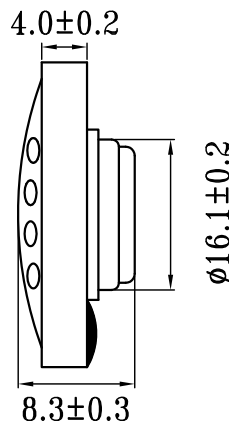
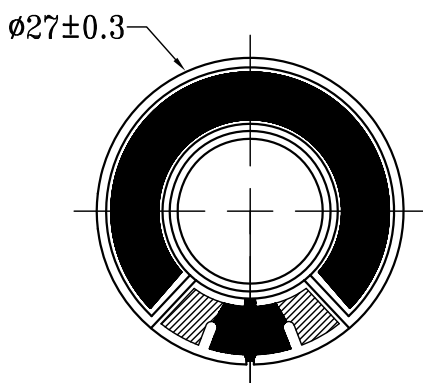
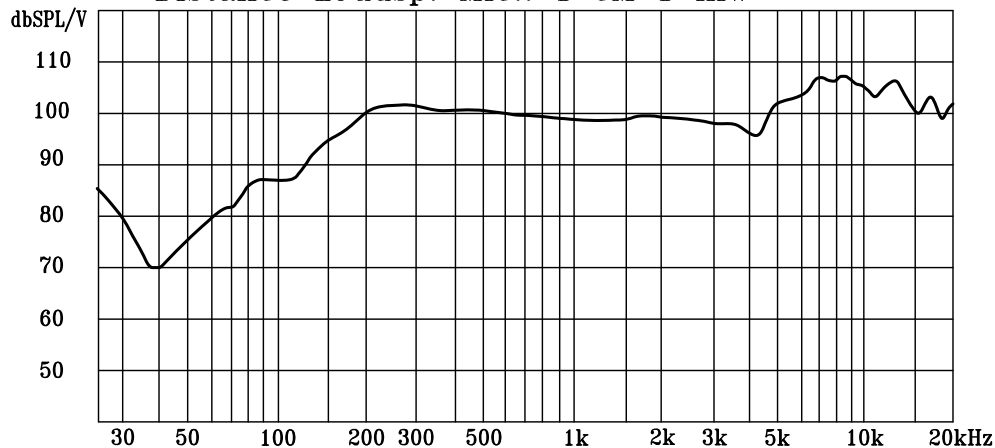
## C.C. FENG CHIUN ELECTRONIC CO., LTD.

OFFICE: TEL:+886-2-82271560  
FAX:+886-2-82271561

FACTORY: TEL:+86-595-22632579  
FAX:+86-595-22632580

1	MODEL	F27P01H (27CS32PX-16NT+COVER)
2	Dimension	Outer Diameter 27 mm Baffle Opening 25.0 mm.
		Height Refer to drawing Weight 5.2 Gram.
3	Magnet	Materials Rare Earth Size $\phi 12.5 \times 1.5$ mm.
4	Nominal Impedance	32 Ohm $\pm 15\%$
5	Power Rating	Normal 10 mW. Maximum 20 mW.
6	Lowest Resonant Frequency	230 $\pm$ 46 Hz
7	Output Sound Pressure Level	100 $\pm$ 3 dB / 1 mW 1 cM.
		Average at 300,400,500,600 Hz
8	Frequency Range	120~20K Hz. Average SPL-10 dB.
9	Distortion	5 % Maximum At 1000 Hz 10 mW.
10	Abnormal Sound Test	Must be Normally Tested By 0.57 Volts Sine Wave.
11	Load Test	White Noise with Weighted Filter 0.57 Volts. (RMS) 24 Hrs.
12	Operation Temperature	-25°C ~ +50°C
13	Storage Temperature	-40°C ~ +60°C
14	Polarity	Diaphragm shall move Forward when Apply a Positive DC
		Current to the "+" or "Marked" Terminal.
15	Remarks	Above specifications on the strength of CNS4784 and CNS4785.

Distance Loudsp. Mic.: 1 cM 1 mW



Unit:mm

Admitted:

Approved:

Made: